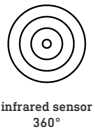


# IS 3360 40m

COM1 - surface, rd. black  
 EAN 4007841 068547  
 Article number 068547



infrared sensor  
360°



max. 20 m

2000 W

2000 W max. (LED-ready)



IP54



2 - 1000 lux



5 sec - 15 min



manual override 4h



ideal 2,5 - 4 m

Teach

Teach mode



energy saving

## Function description

Higher, further, faster. Infrared presence detector IS 3360 for indoors and out, ideal for watching over high spaces and large areas, such as multi-storey and underground car parks, installation height up to 4 m, 360° angle of coverage, reach 20 m max. (tangential), heavy-duty relay for high switching capacity. Available either in round or square surface-mounted and concealed version.

## Technical specifications

Dimensions (Ø x H)	126 x 65 mm	LED lamps > 8 W	600 W
With motion detector	Yes	Capacitive load in µF	176 µF
Manufacturer's Warranty	5 years	Sensor Technology	Passive infrared
Settings via	Remote control, Potentiometers, Smart Remote	Mounting height	2,50 – 4,00 m
Version	COM1 - surface, rd. black	Mounting height max.	4,00 m
PU1, EAN	4007841068547	Optimum mounting height	2,8 m
Type	Motion and Presence Detector	Detection angle	360 °
Application, place	Outdoors, Indoors	Angle of aperture	180 °
Application, room	production facilities, recreation room, changing room, function room / ancillary room, sports hall, reception / lobby, stairwell, WC / washroom, multi-storey / underground car park, outdoors, warehouse, Indoors	Sneak-by guard	Yes
Colour	black	Capability of masking out individual segments	Yes
Colour, RAL	9005	Electronic scalability	No
Includes corner wall mount	No	Mechanical scalability	No
		Reach, radial	Ø 8 m (50 m <sup>2</sup> )
		Reach, tangential	Ø 40 m (1257 m <sup>2</sup> )
		Reach, presence	Ø 3 m (7 m <sup>2</sup> )
		Switching zones	1416 switching zones

# IS 3360 40m

COM1 - surface, rd. black  
EAN 4007841 068547  
Article number 068547



## Technical specifications

Installation site	ceiling
Installation	Surface wiring, Ceiling
IP-rating	IP54
Ambient temperature	-20 – 50 °C
Material	Plastic
Fluorescent lamps, electronic ballast	1500 W
Fluorescent lamps, uncorrected	1000 VA
Fluorescent lamps, series-corrected	400 VA
Fluorescent lamps, parallel-corrected	400 VA
Switching output 1, low-voltage halogen lamps	2000 VA
LED lamps < 2 W	100 W
LED lamps > 2 W < 8 W	300 W

Twilight setting	2 – 1000 lx
Time setting	5 s – 15 Min.
Main light adjustable	No
Twilight setting TEACH	Yes
Constant-lighting control	No
Interconnection	Yes
Type of interconnection	Master/master
Interconnection via	Cable

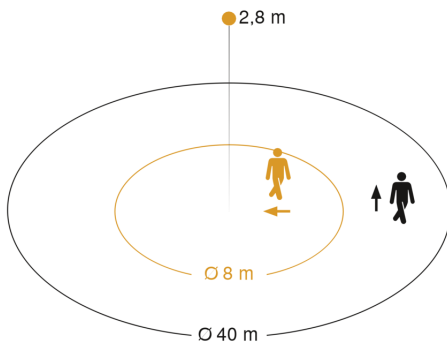
## Accessories

EAN 4007841 559410	Service remote control RC8
EAN 4007841 009151	Remote control Smart Remote

# IS 3360 40m

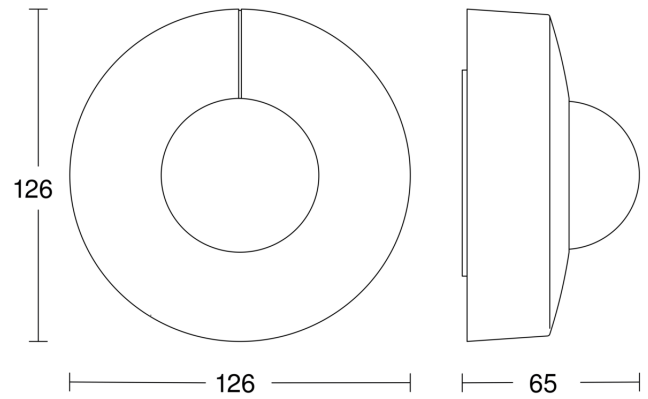
COM1 - surface, rd. black  
EAN 4007841 068547  
Article number 068547

## Detection Zone

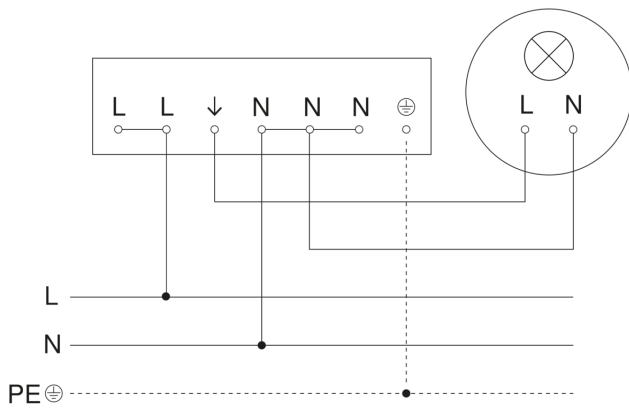


Mögliche Montagehöhe: 2,50 m – 4,00 m  
Orange: radial  
Schwarz: tangential

## Dimension Drawing



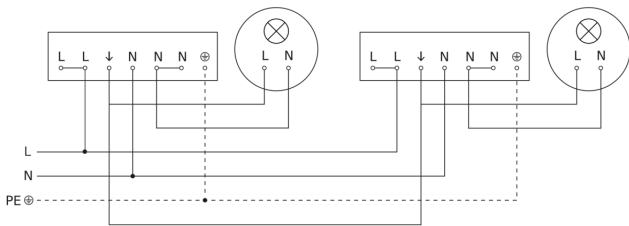
## Circuit diagram



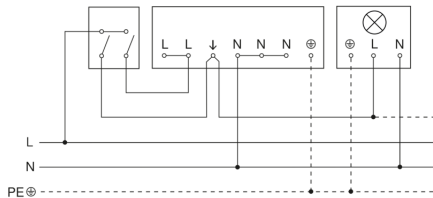
# IS 3360 40m

COM1 - surface, rd. black  
EAN 4007841 068547  
Article number 068547

## Circuit diagram for interconnecting several sensors



## Connection using two-circuit switch for manual and automatic operation



## Circuit diagram Connection via a changeover switch for continuous and automatic operation

